

Concept of Demilitarization

Definition: The act of destroying the military offensive or defensive advantage inherent in certain types of equipment or material. This term includes mutilation, dumping at sea, cutting, crushing, scrapping, melting, burning, or alteration designed to prevent the further use of this equipment and material for its intended military or lethal purpose. It applies equally to equipment and or material in unserviceable or serviceable condition that has been screened and declared surplus or foreign excess.

Definitions

Disposal

In the context of heavy weapons, the term refers to..... the removal of heavy weapons from a stockpile utilising a variety of methods, (that may not necessarily involve destruction).

Destruction

The process of final conversion of heavy weapons into an inert state that can no longer function as designed.

Demilitarization

The complete range of processes that render weapons, ammunition, mines and explosives unfit for their originally intended purpose.

NOTE: Demilitarisation not only involves the final destruction process, but also includes all of the other transport, storage, accounting and pre-processing operations that are equally as critical to achieving the final result.

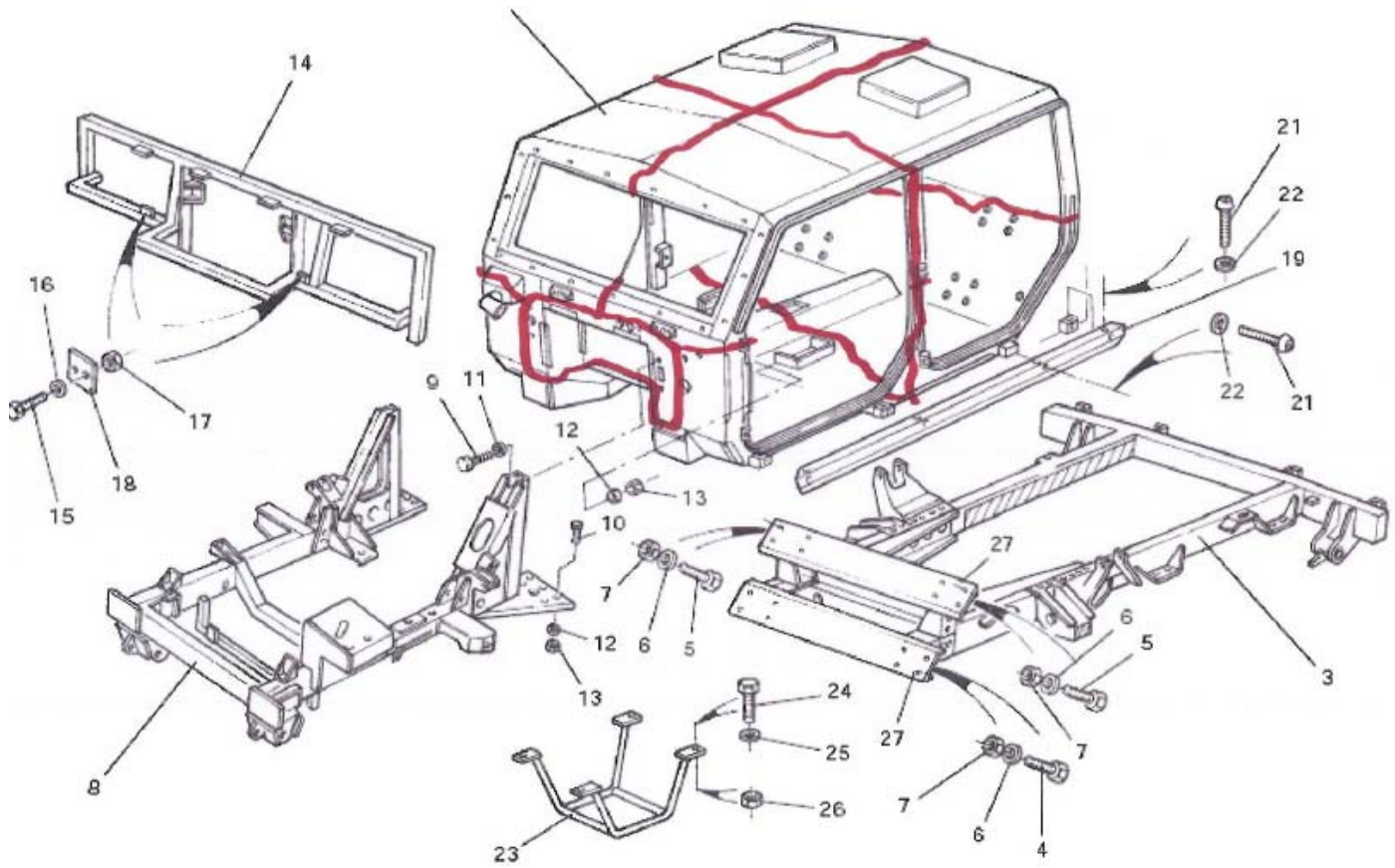
Summary of Disposal Options

Annex A - Phases of Heavy Weapon (Land Systems) Demilitarization Process

PHASE	PROCESS	REMARKS
Pre-Preparation Phase	Hazard Inspection	Identify and mark all hazardous materials and components for removal.
	Remove Ammunition, Explosives and Explosive Reactive Armour (ERA)	
	Remove all Radiac and Radioactive Sources	
Preparation Phase	Drain Fuels	
	Drain Hydraulic Fluids	
	Remove Batteries	Possibly recyclable.
	Degauss Fuel Tanks	To ensure safety during cutting operations.
Dismantling Phase	Remove Exterior Components	Aluminium storage bins etc.
	Unship Turret	MBT and AIFV only.
	Cutting Operations	Oxy-Acetylene
Scrap Processing	Segregate Scrap by Type	Ferrous, Non-ferrous and Rare Metals
	Pack Scrap into Containers	Waste Skips, Rail Flats or ISO Containers.

*Source : Defence Conversion - The Disposal and Demilitarization of Heavy Weapon Systems
2nd Edition (2007-09-31)*

RG-32 – SCOUT – HULL



RG-32 SCOUT - COMPLETE

